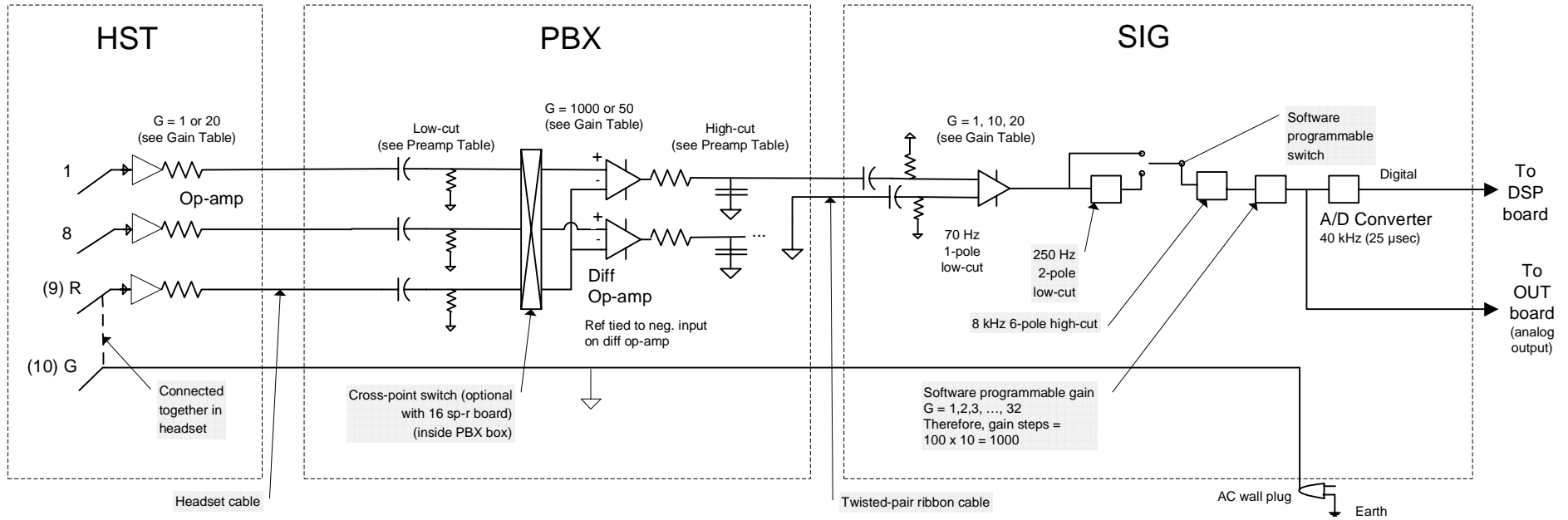


Plexon MAP Circuit Diagram



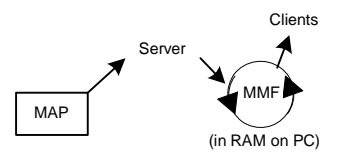
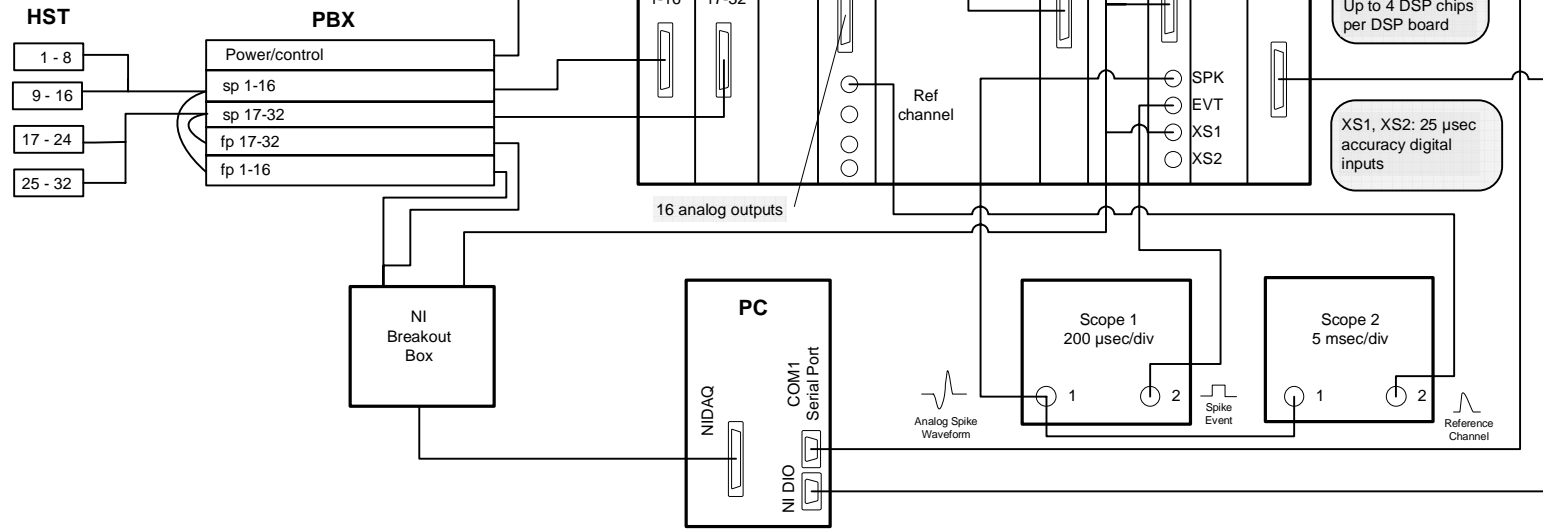
Preamp Table

Board	Gain	Low-cut	High-cut
16 sp	1000 or 50	100 Hz-2p	8 kHz-4p
16 fp	1000 or 50	0.7 Hz-2p	170 Hz-4p
16 wb	1000 or 50	3 Hz-2p	8 kHz-4p
16 sp-r	100	150 Hz-1p	9 kHz-1p

(r = programmable referencing, p = poles)
 (all boards are 16-channel in spike (sp), field potential (fp), or wide band (wb) configurations)

Gain table

Device	Option		
	#1	#2	#3
HST gain	1	20	1
PBX gain	1000	50	100
SIG gain	1	1	10



Software

Control Clients	Data Clients (visualization and analysis)
Sort Client	GAC
FEC	PEC
PlexNet	GridMon
- run only one copy at a time	Nex
	- run multiple copies